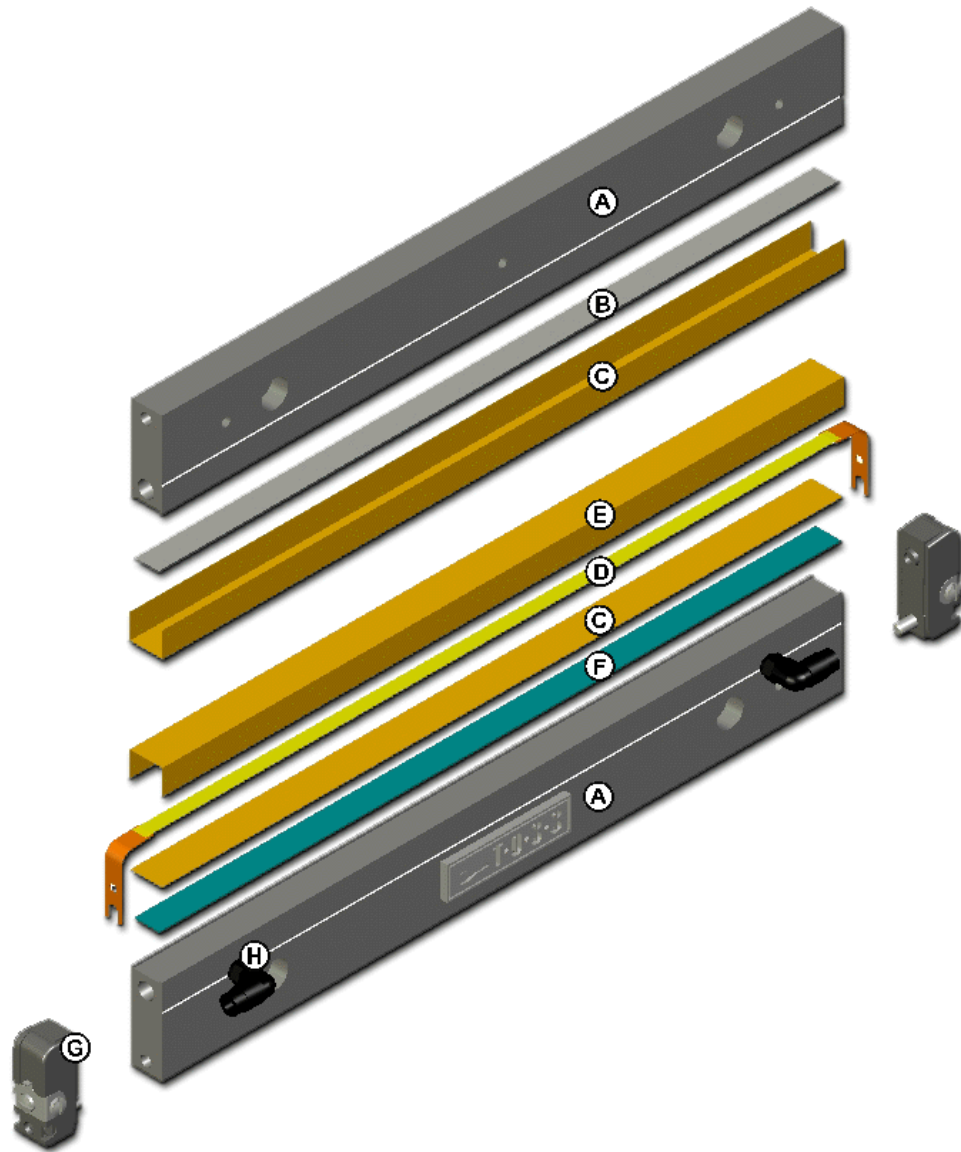




# Single Heat Seal Band Equipped for Water Cooling



	Quantity	Description
A	2	Jaw Bar
B	1	Silicone
C	2	Cover Tape(2 sizes)
D	2	Heat Seal Band

	Quantity	Description
E	1	Cover Strip material
F	1	Durit
G	2	Jaw End Connectors
H	2	Water Fittings

***Our Experience and Technology Today.....Your Progress and Profit Tomorrow***