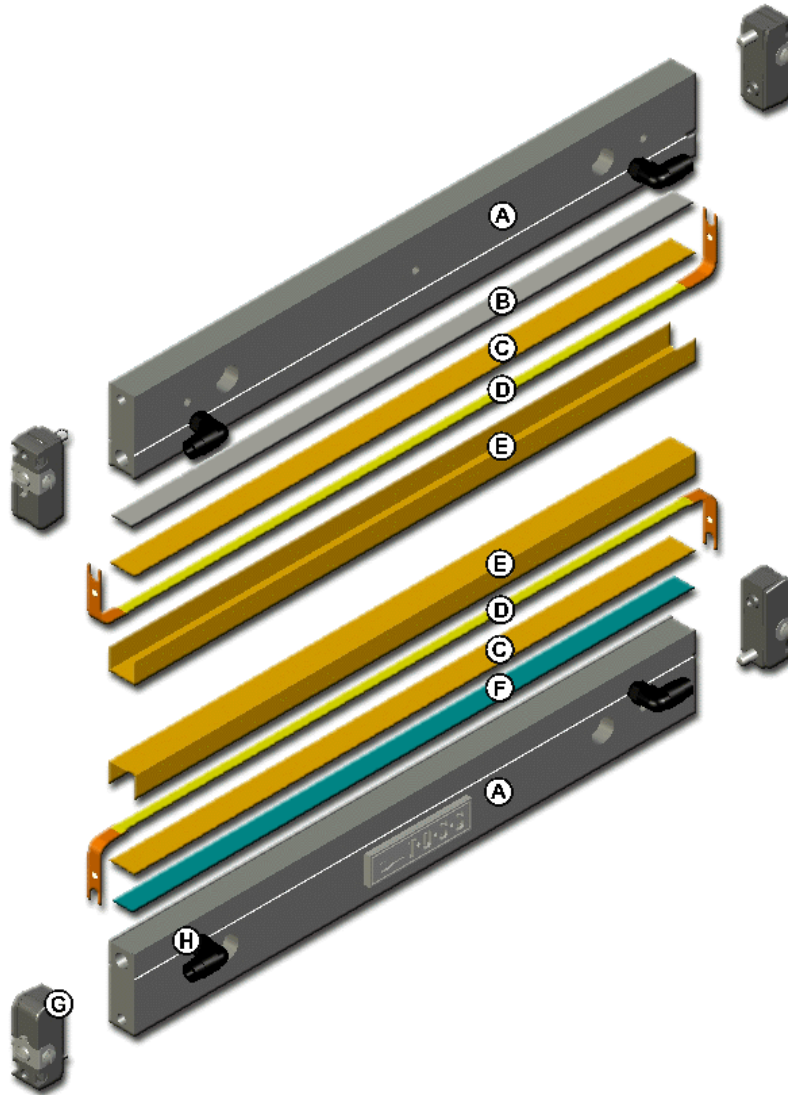




Dual Heat Seal Band Equipped for Water Cooling



	Quantity	Description
A	2	Jaw Bar
B	1	Silicone
C	2	Teflon Tape
D	2	Heat Seal Band

	Quantity	Description
E	2	Cover Strip Material
F	1	Durit
G	4	Jaw End Connectors
H	4	Water Fittings

Our Experience and Technology Today.....Your Progress and Profit Tomorrow