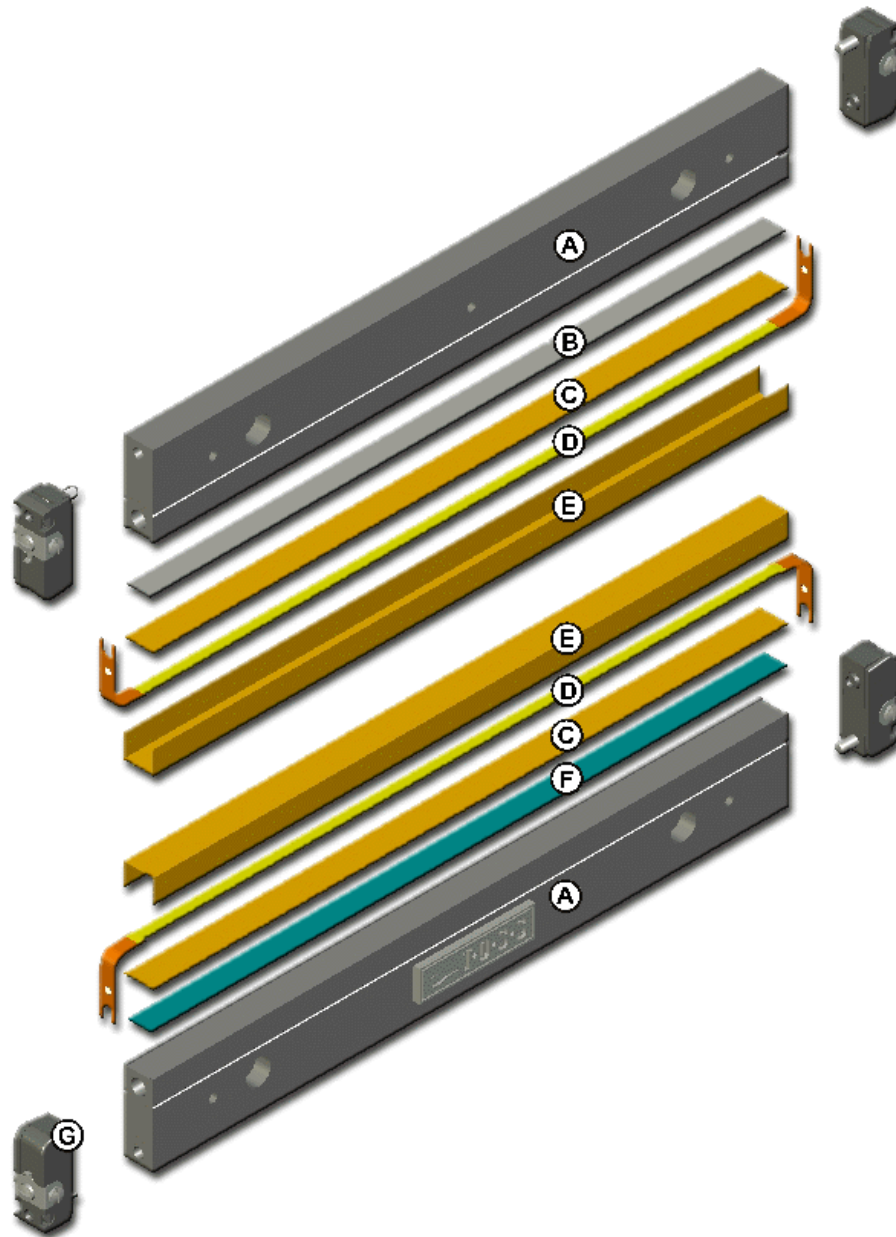




Dual Heat Seal Band Configuration



	Quantity	Description
A	2	Jaw Bar
B	1	Silicone
C	2	Cover Tape
D	2	Heat Seal Band

	Quantity	Description
E	2	Cover Strip material
F	1	Durit
G	4	Jaw End Connectors

Our Experience and Technology Today.....Your Progress and Profit Tomorrow