

## Measurement cable UML-1 <sup>®</sup>

### Datasheet

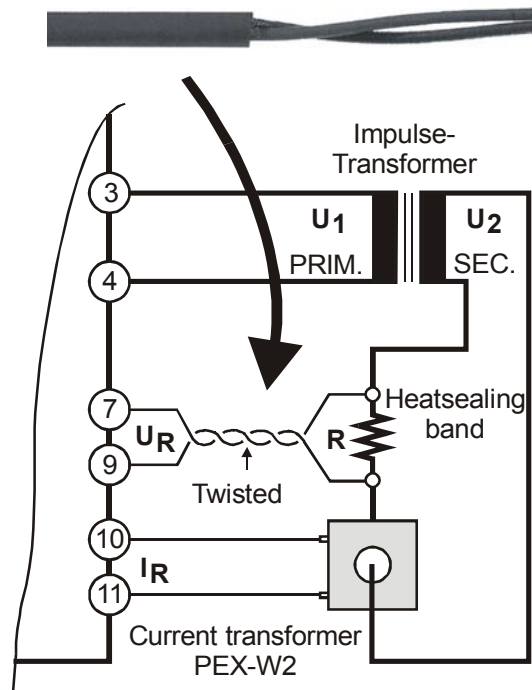
A important condition of the resistance measurement in 4-wire-technique (principals of the functionality) for RESISTRON-/CIRUS-temperature controllers is the correct and precise voltage measurement at the ends of the heatsealing band.

We want to support our clients in this case. We can offer a twisted measurement cable for the  $U_R$ -voltage measurement now. ROPEX developed this new cable for heatsealing applications with RESISTRON-/CIRUS-temperature controllers.

### Specification

- 2 x 1.0mm<sup>2</sup>
- Diameter app. 6.3mm
- Twisted 50turns/m
- Trailing cable
- Halogene and silicone free
- Halogene, silicone and latex free
- Bending radius 50mm min.
- Temperature range -25...+70°C
- Lead marking "1" und "2"

With this specifications the measurement cable UML-1 meets the requirements of modern high-technique machines.



### How to order



<b>UML-1</b>	Ring à 10m	Art. No. 884251
	Ring à 100m	Art. No. 884252
	Drum à 500m	Art. No. 884253

Exclusive Sales and Service :  
[www.tossheatseal.com](http://www.tossheatseal.com)